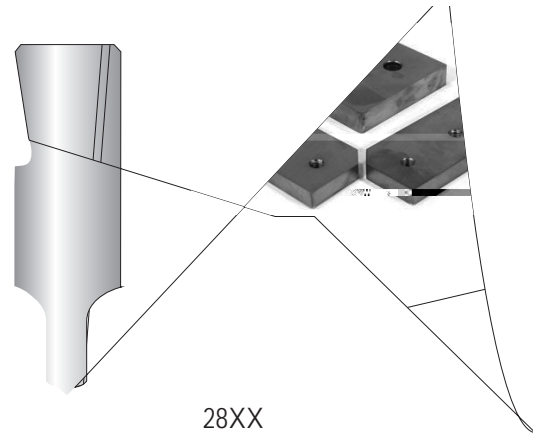


Model	Punch	Die
30	1	1
30/110		1
3	1	1
0	1	1
30	1	1
0		1
0-1		1
100		1
100-1		1
1 3		1
1 3-1		1
3	1	1
0	1	1
	1	1
1	1	1
0		1
0-1		1
100		1
100-1		1
1 3		1
1 3-1		1

PUNCHES



DIES